

PORTELLA OVALE apertura interna

- OVAL Manwaydoor inwards opening
- Porte OVALE avec ouverture à l'intérieur
- Puerta OVAL de apertura interna
- OVALE Mannlochtür schwenkbar nach innen
- ОВАЛЬНАЯ КРЫШКА с внутренним открытием
- 内开椭圆形人孔门

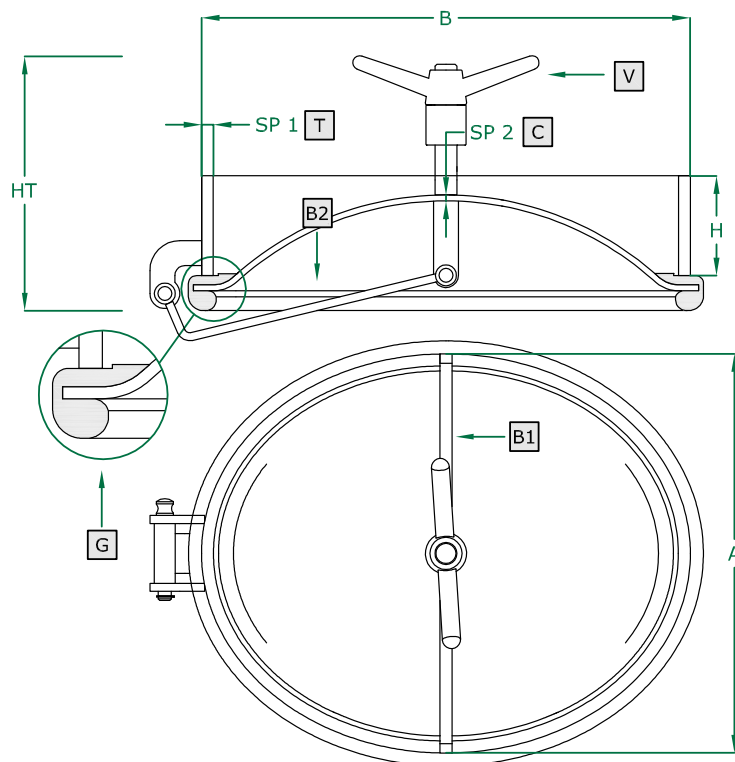


315 ART
400 X 490 mm

Rev 0

Pressure Equipment Directive
PED - 97/23/CE

COPERCHIO COVER	C
TELAIO FRAME	T
BRACCIO1 ARM 1	B1
BRACCIO2 ARM 2	B2
VOLANTINO HANDWHEEL	V
GUARNIZIONE GASKET	G



	STANDARD	OPTIONAL			
H X SP1	100 X 12	130 X 12	150 X 12	200 X 12	
TELAIO	SAT		MPL		
GUARNIZIONE	EPDM	NBR	SILICONE	VITON	
VOLANTINO	125 037 S. STEEL				

ART	A	B	SP2	HT (standard)	BAR max: (standard)	COVER type:	GASKET code:	KG (standard)
315	400	490	6	290	10,0	CL	120 631	27,0