

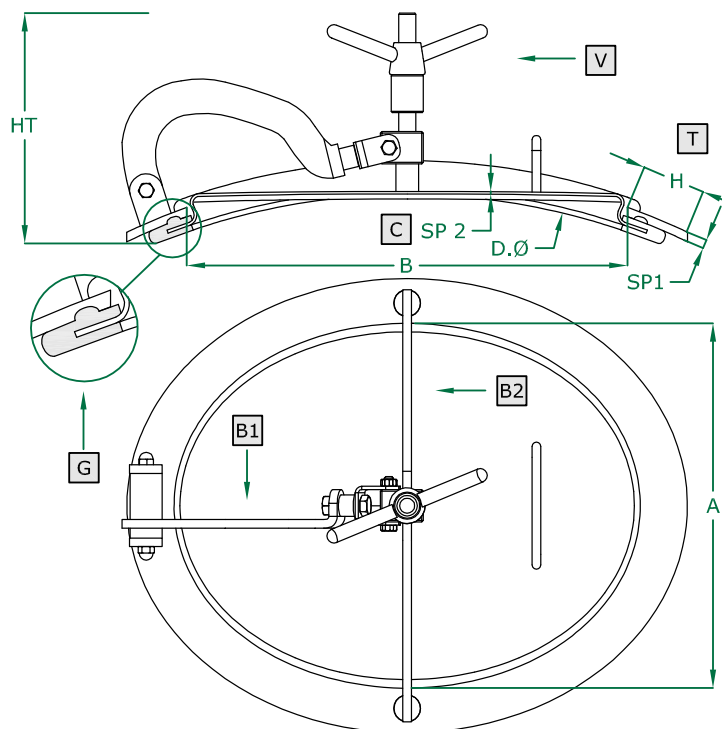
**PORTELLA OVALE apertura interna**

- OVAL Manwaydoor inwards opening
- Porte OVALE avec ouverture à l'intérieur
- Puerta OVAL de apertura interna
- OVALE Mannlochtür schwenkbar nach innen
- ОВАЛЬНАЯ КРЫШКА с внутренним открытием
- 内开椭圆形人孔门

D. = Rag. minima Ø 1200

**308 ART**  
345 X 445 mm  
Rev 1

COPERCHIO COVER	<b>C</b>
TELAIO FRAME	<b>T</b>
BRACCIO1 ARM 1	<b>B1</b>
BRACCIO2 ARM 2	<b>B2</b>
VOLANTINO HANDWHEEL	<b>V</b>
GUARNIZIONE GASKET	<b>G</b>



	STANDARD	OPTIONAL				
H X SP1	40 X 8					
TELAIO	SAT			MPL		
GUARNIZIONE	PARA	EPDM	NEOPRENE	NBR	SILICONE	VITON
VOLANTINO	125 037 S. STEEL					

ART	A	B	SP2	HT (standard)	BAR max: (standard)	COVER type:	GASKET code:	KG (standard)
308	345	445	3,0	175	3,0	CL	120 750	14,5