

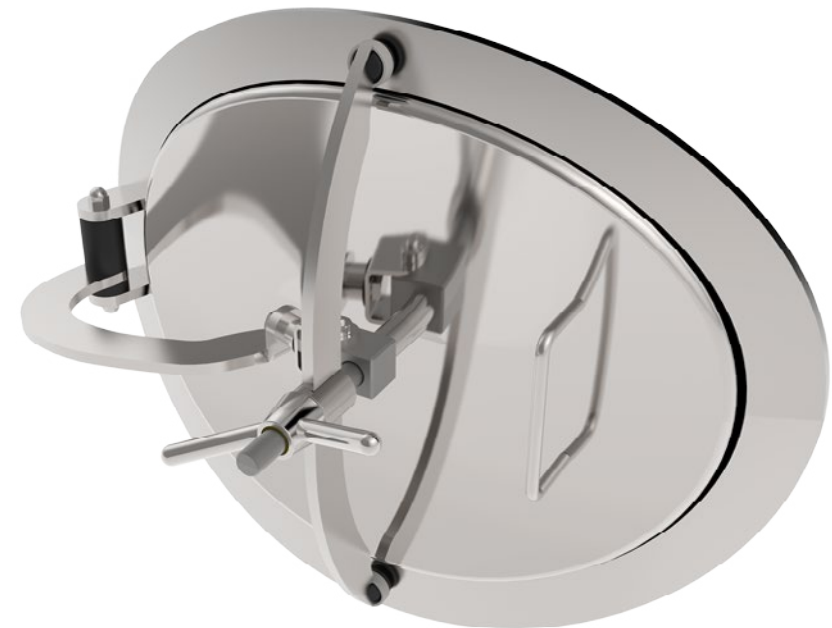
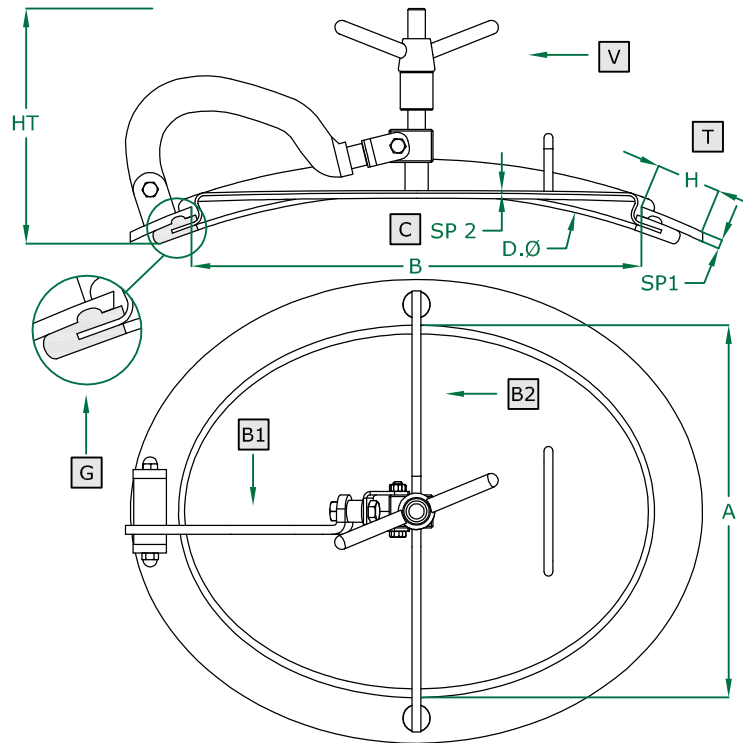
**PORTELLA OVALE apertura interna**

- OVAL Manwaydoor inwards opening
- Porte OVALE avec ouverture à l'intérieur
- Puerta OVAL de apertura interna
- OVALE Mannlochtür schwenkbar nach innen
- ОВАЛЬНАЯ КРЫШКА с внутренним открытием
- 内开椭圆形人孔门

D. = Rag. minima Ø 1200

**309 ART**  
345 X 445 mm  
Rev 1

|                        |           |
|------------------------|-----------|
| COPERCHIO<br>COVER     | <b>C</b>  |
| TELAIO<br>FRAME        | <b>T</b>  |
| BRACCIO1<br>ARM 1      | <b>B1</b> |
| BRACCIO2<br>ARM 2      | <b>B2</b> |
| VOLANTINO<br>HANDWHEEL | <b>V</b>  |
| GUARNIZIONE<br>GASKET  | <b>G</b>  |



|             | STANDARD            |      | OPTIONAL           |     |          |       |
|-------------|---------------------|------|--------------------|-----|----------|-------|
| H X SP1     | 40 X 8              |      |                    |     |          |       |
| TELAIO      | SAT                 |      | MPL                |     |          |       |
| GUARNIZIONE | PARA                | EPDM | NEOPRENE           | NBR | SILICONE | VITON |
| VOLANTINO   | 125 034<br>S. STEEL |      | 125 004 V<br>NYLON |     |          |       |

| ART | A   | B   | SP2 | HT<br>(standard) | BAR max:<br>(standard) | COVER<br>type: | GASKET<br>code: | KG<br>(standard) |
|-----|-----|-----|-----|------------------|------------------------|----------------|-----------------|------------------|
| 309 | 345 | 445 | 2,5 | 170              | 3,0                    | CL             | 120 750         | 11,0             |